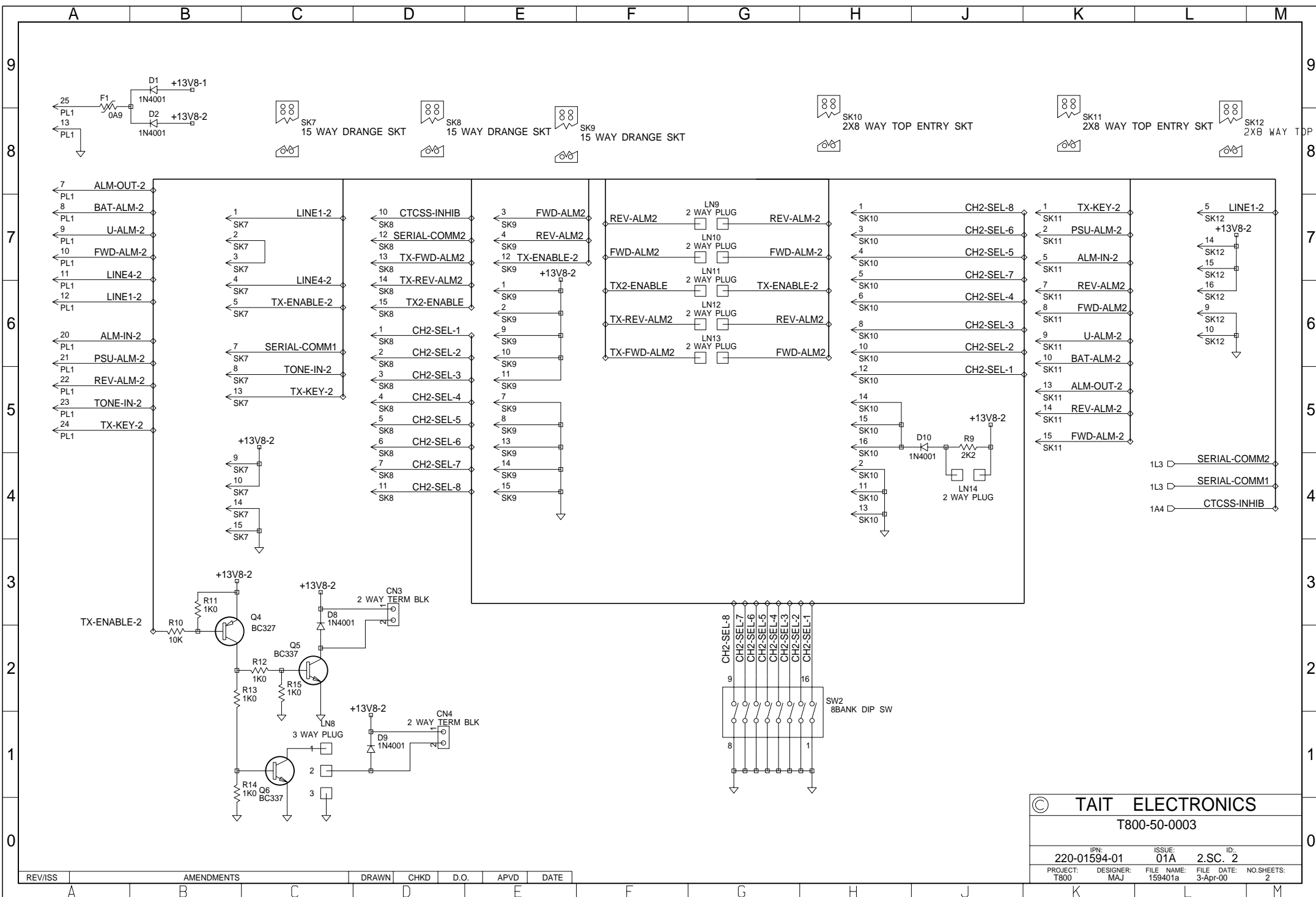


© TAIT ELECTRONICS
T800-50-0003

IPN: 220-01594-01	ISSUE: 01A	ID: 2.SC. 1
PROJECT: T800	DESIGNER: MAJ	FILE NAME: 159401a
DATE: 3-Apr-00	NO. SHEETS: 2	

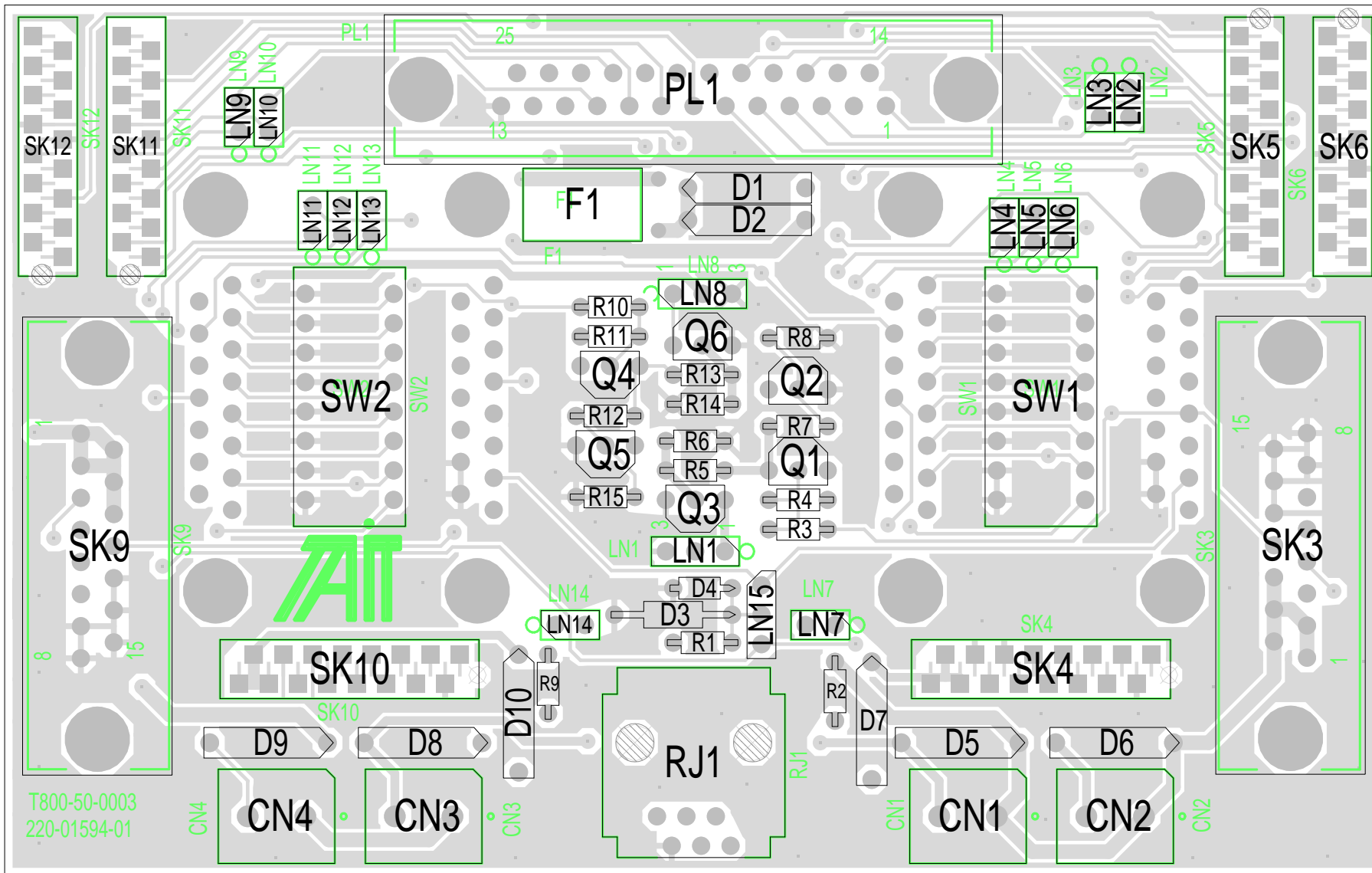
REV/ISS	AMENDMENTS	DRAWN	CHKD	D.O.	APVD	DATE
A	B	C	D	E	F	G



© TAIT ELECTRONICS
T800-50-0003

IPN: 220-01594-01	ISSUE: 01A	ID: 2.SC. 2
PROJECT: T800	DESIGNER: MAJ	FILE NAME: 159401a
FILE DATE: 3-Apr-00	NO. SHEETS: 2	

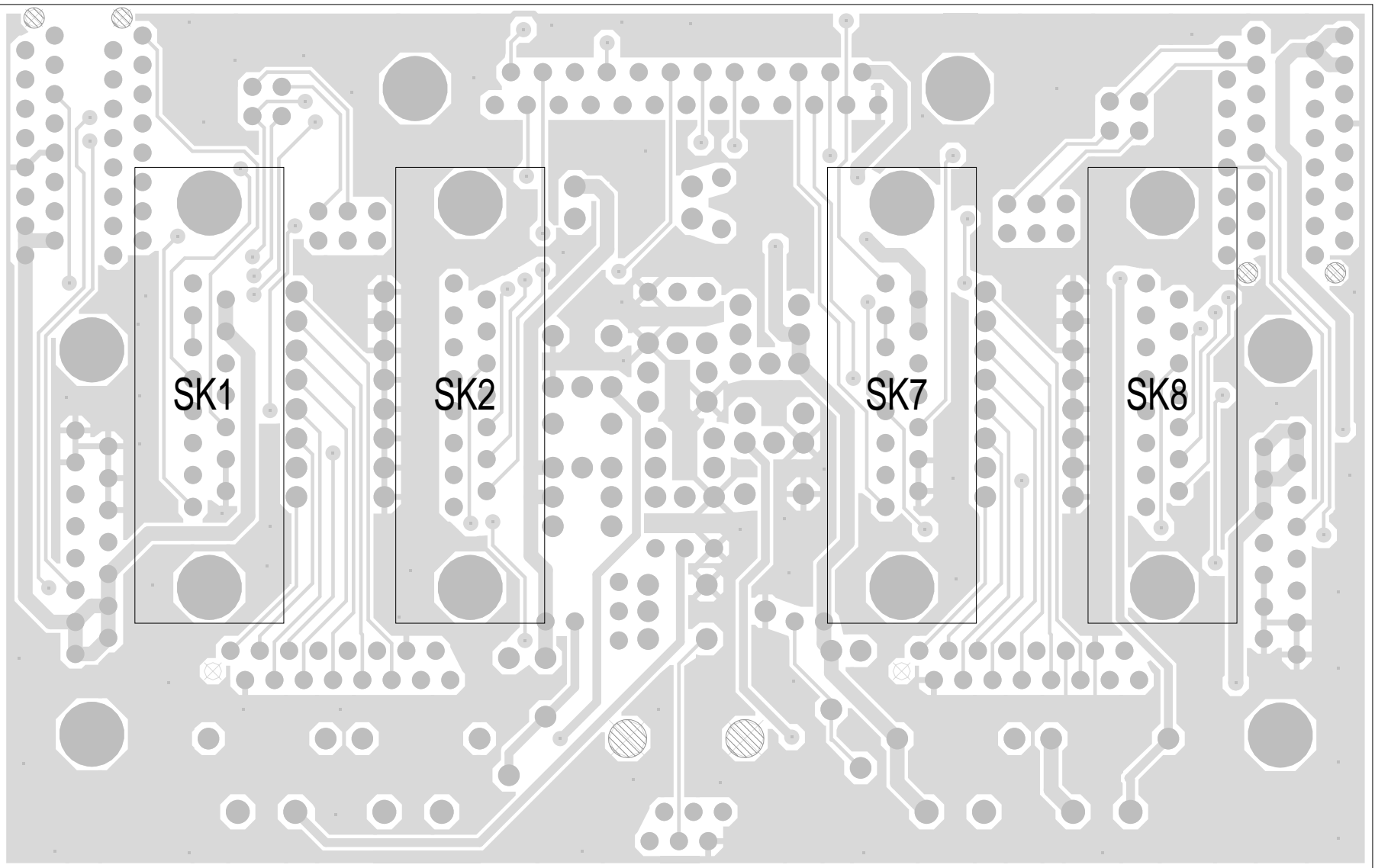
REV/ISS	AMENDMENTS	DRAWN	CHKD	D.O.	APVD	DATE
A	B	C	D	E	F	G



T800-50-0003
220-01594-01

TAIT ELECTRONICS	IPN: 220-01594-01	ISS: A	ID: 1.TA	DATE: 4 Apr 2000
T800-50-0003 PCB LAYOUT - TOP SIDE				

Scale: 2.0:1 ; Rotation: 270 degrees



TAIT ELECTRONICS	IPN: 220-01594-01	ISS: A	ID: 2.BA	DATE: 4 Apr 2000
T800-50-0003 PCB LAYOUT - BOTTOM SIDE				

Scale: 2.0:1 : Rotation: 90 degrees